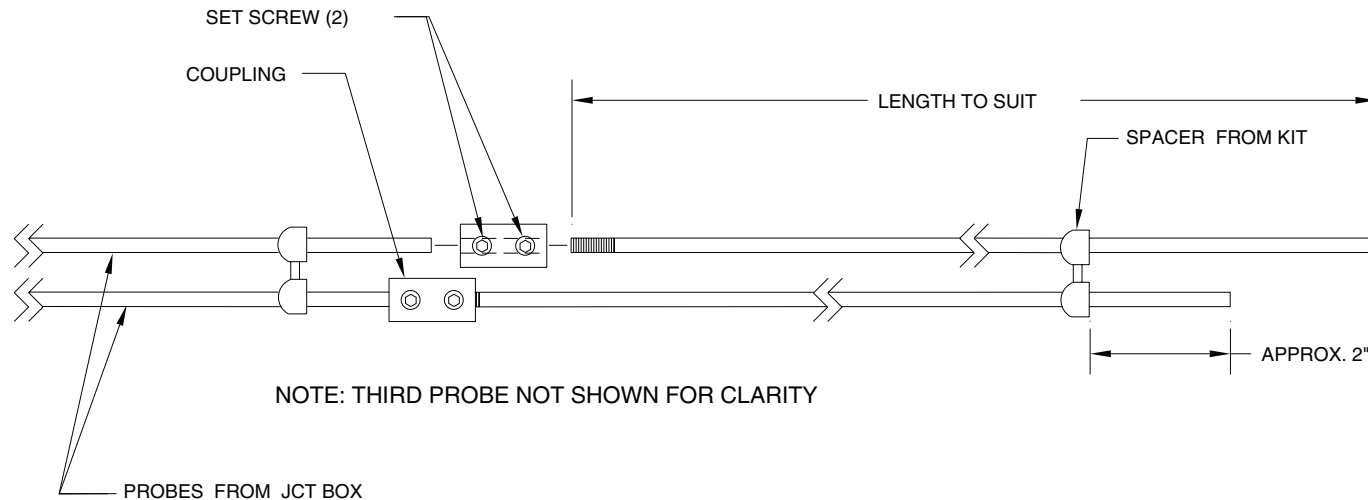




# Conductivity Probe Kit M3784-110MK

## Add-on Electrode Installation Instructions

1. Cut the add-on electrodes to the length needed for your application. De-burr the cut ends with a fine file or equal.
2. Insert the threaded end of each add-on electrode into a coupling, *just to the end of the threads*.
3. Secure the coupling to the electrode with one (1) of the supplied set screws.
4. Connect the add-on electrodes to the electrodes from the junction box by placing the couplings over the electrode ends until the ends of the add-on electrodes contact the junction box electrodes.
5. Secure the couplings to the electrodes with the rest of the supplied set screws.
6. Slide the plastic spacer from the kit over the ends of the extended electrodes, as shown below.



Sensor solutions for today and the future™

**Madison Company 800-466-5383**

27 Business Park Drive, Branford, CT 06405 • 203-488-4477 • Fax: 203-481-5036 • [www.madisonco.com](http://www.madisonco.com) • E-mail: [info@madisonco.com](mailto:info@madisonco.com)

ISO 9001 Certified