

R1 Relay Installation Instructions

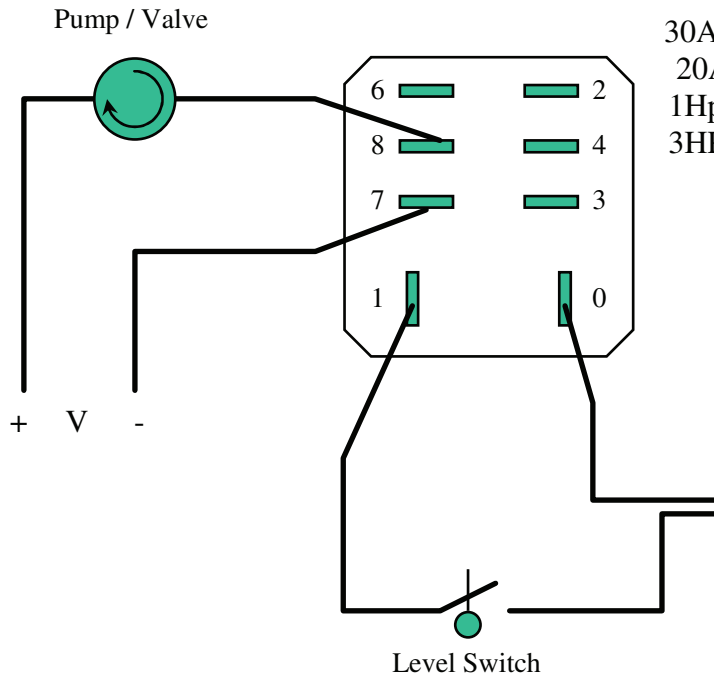
- Apply the input power through the Float Switch and attach to terminals 1 and 0 as shown.
- Connect one line of the switched power to pin 8 or 4. Connect the other power lead through the switched device and to the desired operation terminal (pin 6,7 or 2,3).

Switched Terminals

7 Normally Closed	3 Normally Closed
6 Normally Open	2 Normally Open
8 Common (6-7)	4 Common (2-3)

Output Contacts

NO (8-6 & 4-2)	NC (8-7 & 4-3)
30A @ 277 VAC	3A @ 277 VAC
20A @ 28 VDC	3A @ 28 VDC
1Hp @ 120 VAC	
3HP @ 240VAC	



Input Power

R1-12.....12VDC
R1-120....120VAC
R1-220....220VAC

Madison Company
Corporate Headquarters

27 Business Park Drive • Branford, CT 06405 • USA
Phone: +1 800 466 5383 +1 203 488 4477 • Fax: +1 203 481 5036
E-mail: info@madisonco.com

ISO 9001 Certified